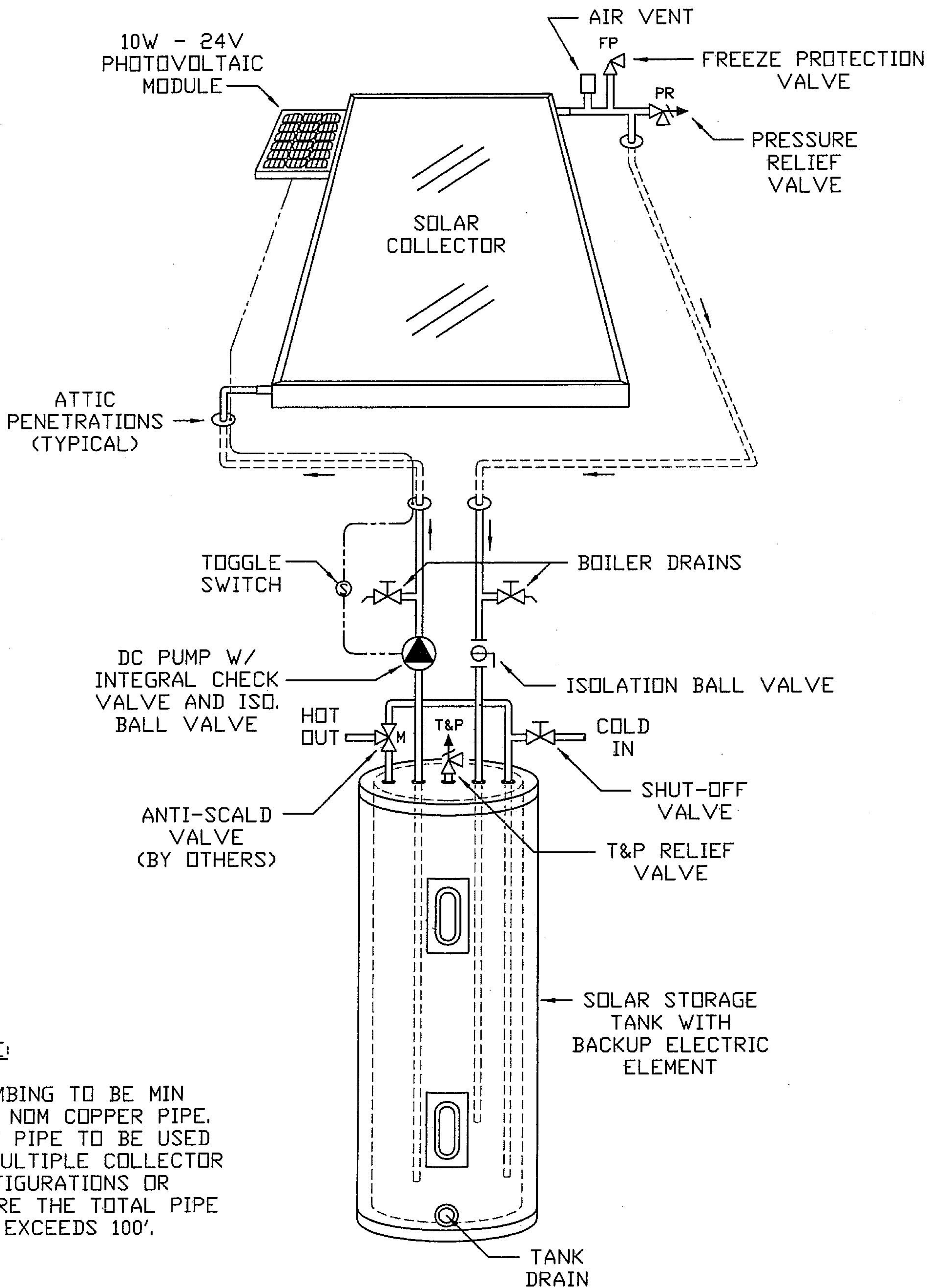


# DIRECT PV SYSTEM

TS-EZ-65-32-DPV



## NOTE:

PLUMBING TO BE MIN  
1/2" NOM COPPER PIPE.  
3/4" PIPE TO BE USED  
IN MULTIPLE COLLECTOR  
CONFIGURATIONS OR  
WHERE THE TOTAL PIPE  
RUN EXCEEDS 100'.